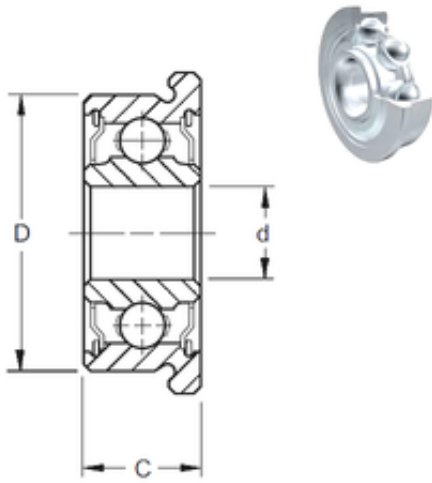




TUNG PAY INDUSTRIAL CO., LTD.



7 mm x 14 mm x 5 mm ZEN F687-2Z deep groove ball bearings

Bearing No. F687-2Z

Size	7x14x5 mm
Bore Diameter	7 mm
Outer Diameter	14 mm
Width	5 mm
d	7 mm
D	14 mm
B	5 mm
C	5 mm
Basic dynamic load rating (C)	1,173 kN
Basic static load rating (C0)	0,513 kN

F687-2Z Bearing 2D drawings and 3D CAD models