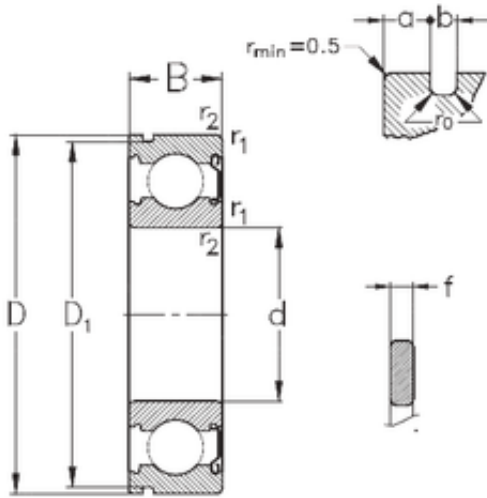




# TUNG PAY INDUSTRIAL CO., LTD.



55 mm x 90 mm x 18 mm NKE 6011-Z-NR  
deep groove ball bearings

Bearing No. 6011-Z-NR

Size	55x90x18 mm
Bore Diameter	55 mm
Outer Diameter	90 mm
Width	18 mm
d	55 mm
D	90 mm
B	18 mm
C	18 mm
a	3,28 mm
b	2,7 mm
f	2,46 mm
r1 min.	1,1 mm
r2 min.	1,1 mm
D1	86,79 mm
D2	96,5 mm
Weight	0,311 Kg
Basic dynamic load rating (C)	28,2 kN
Basic static load rating (C0)	21,3 kN

6011-Z-NR Bearing 2D drawings and 3D CAD models