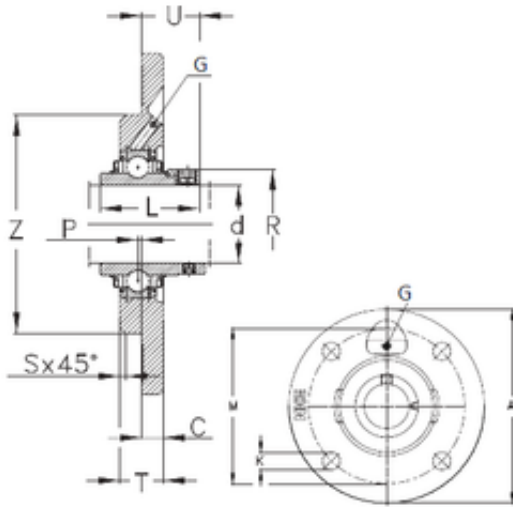




TUNG PAY INDUSTRIAL CO., LTD.



NKE RMEY55 bearing units

Bearing No. RMEY55

Bore Diameter	55 mm
d	55 mm
P	0 mm
U	33,4 mm
K	18 mm
Z	125 mm
A	185 mm
C	15 mm
L	55,6 mm
M	150 mm
S	3 mm
T	27,5 mm
Thread (G)	M6

RMEY55 Bearing 2D drawings and 3D CAD models